

WEKSLER® HVAC/Contractor Gauge

MODEL EA14



EA14MJ



EA14MK



EA14ML

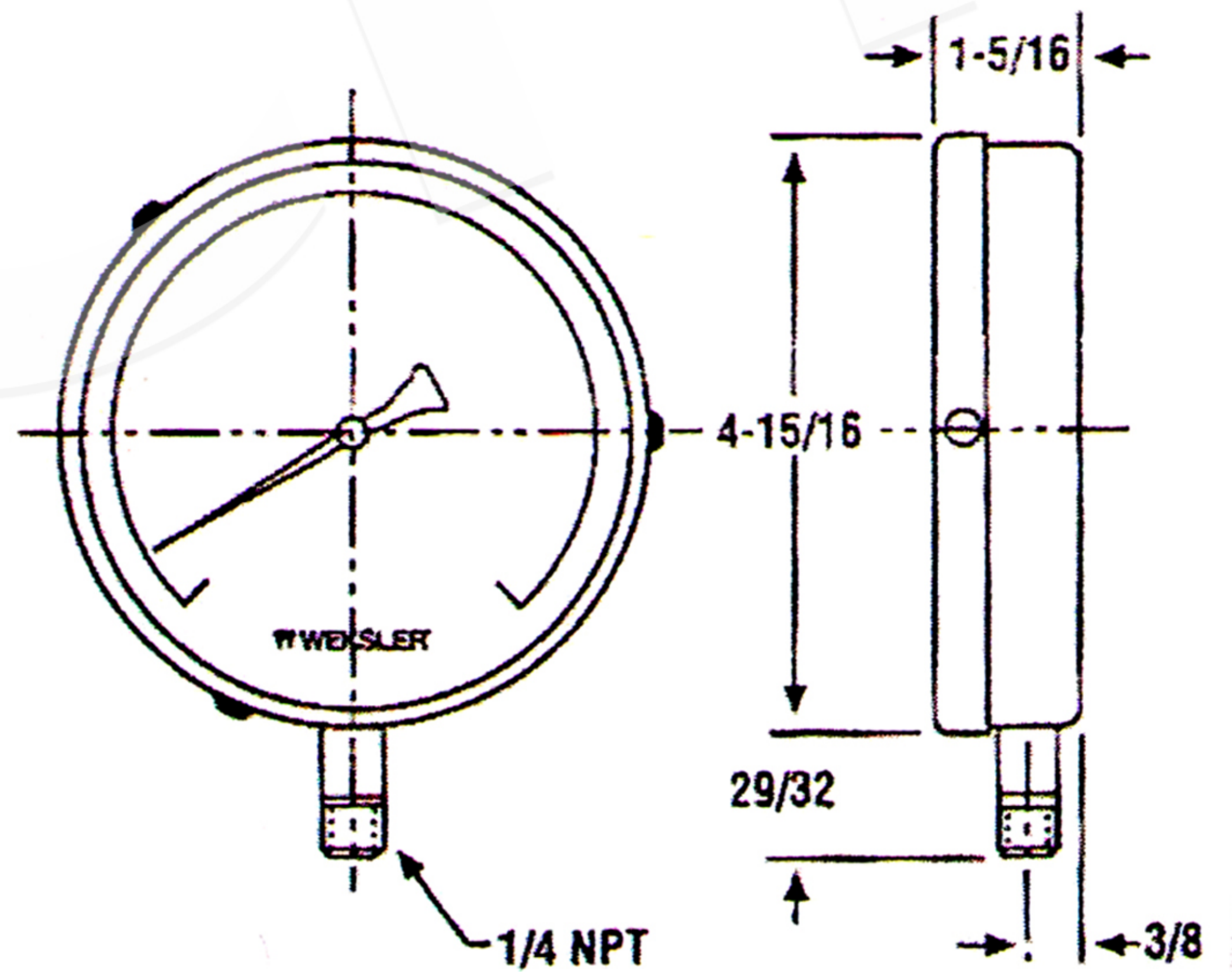


EA14MM

STANDARD FEATURES

- 4½" corrosion resistant stainless steel case and ring, plastic window.
- Accuracy is 1% full scale.
- Balanced adjustable black pointer, adjust screw in face of instrument.
- Soft soldered phosphor bronze tube with brass socket. Suitable for steam, water, air, oil, gas or any medium not corrosive to copper alloys.
- Phosphor bronze movement.
- White dial with bold black graduations and figures.
- ¼ NPT bottom connection only.

DIMENSIONS



COMPOUND RANGES

CATALOG NO	DIAL RANGES	FIGURE INTERVALS	SMALLEST GRADUATION
EA14MJ	30"-0-30 psi/cm hg/kg/cm ²	10" & 5 psi	1" & 1 psi
EA14MK	30"-0-100 psi/cm hg/kg/cm ²	15" & 10psi	5" & 1 psi
EA14ML	30"-0-150 psi/cm hg/kg/cm ²	30" & 25 psi	5" & 5 psi
EA14MM	30"-0-300 psi/cm hg/kg/cm ²	30" & 30 psi	5" & 5 psi